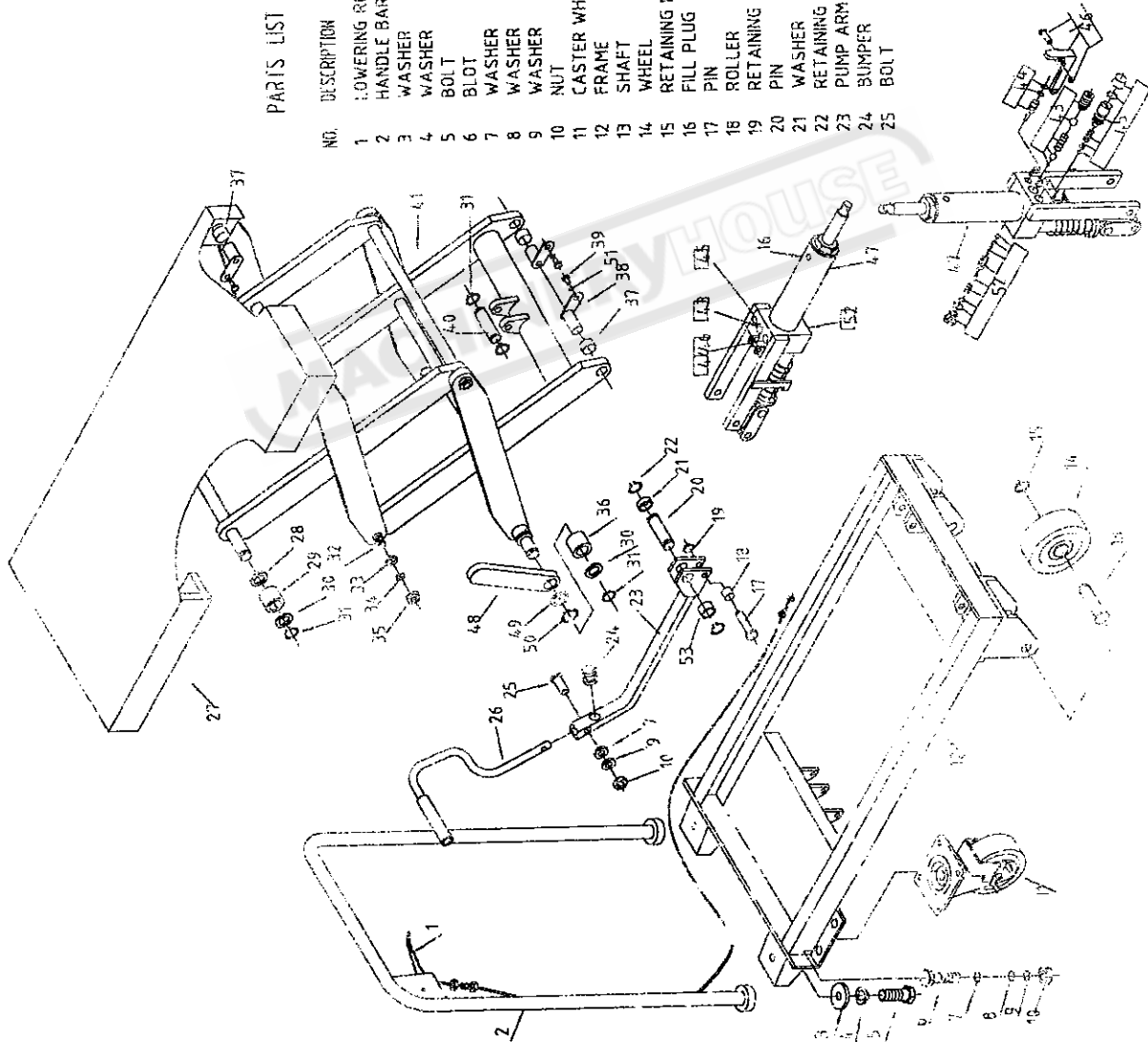


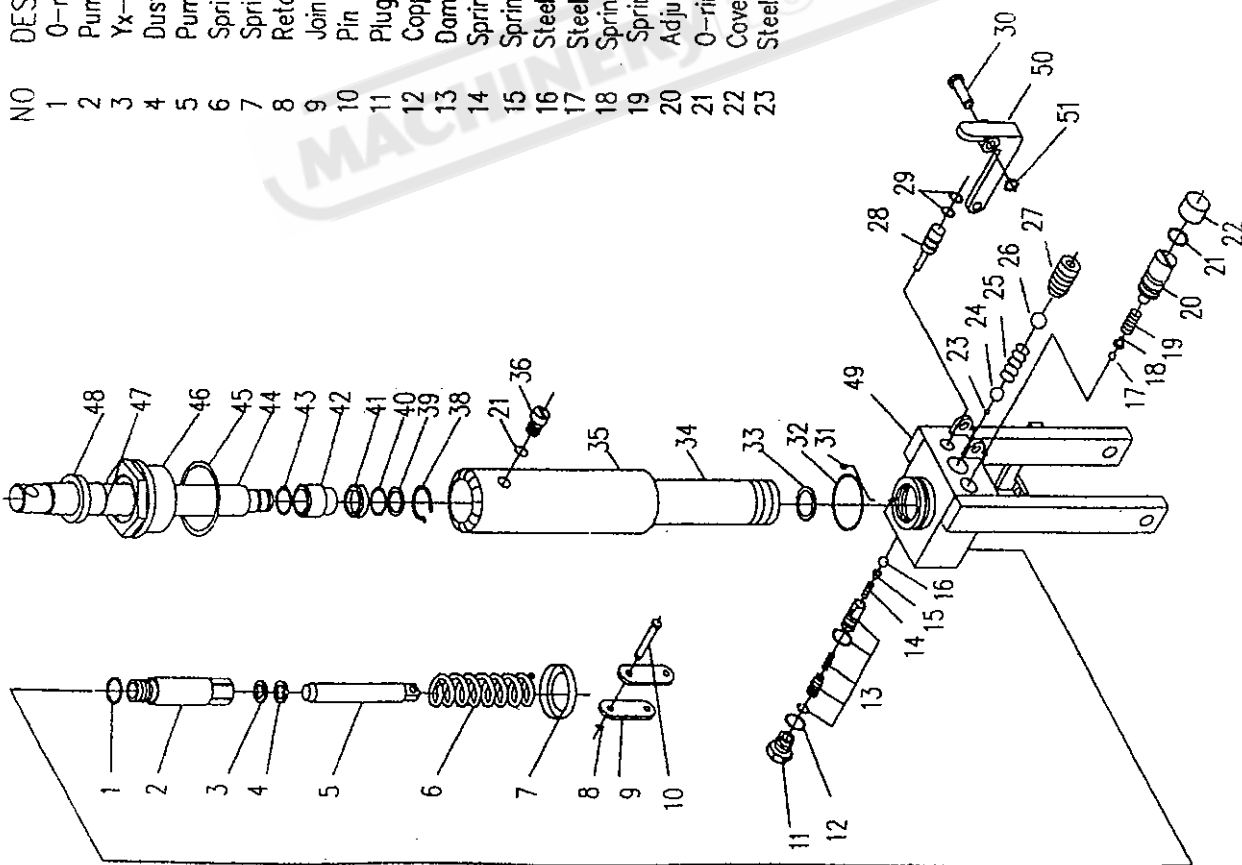
PARTS LIST OF TABLE LIFTING TRUCK

NO.	DESCRIPTION	QUANTITY	NO.	DESCRIPTION	QUANTITY
1	LOWERING ROD	1	26	FOOD PEDAL	1
2	HANDLE BAR	1	27	TABLE	1
3	WASHER	2	28	WASHER	2
4	WASHER	2	29	ROLLER	2
5	BOLT	2	30	WASHER	4
6	BOLT	8	31	RETAINING RING	6
7	WASHER	9	32	SHAFT	2
8	WASHER	8	33	WASHER	4
9	WASHER	9	34	WASHER	4
10	NUT	9	35	NUT	4
11	CASTER WHEEL	1	36	ROLLER	2
12	FRAME	2	37	BUSHING	4
13	SHAFT	2	38	L-PIN	4
14	WHEEL	2	39	SCREW	4
15	RETAINING RING	2	40	PIN	1
16	FILL PLUG	1	41	ARM ASSEMBLY	1
17	PIN	1	43	FLOW VALVE KIT	1
18	ROLLER	1	44	RELEASE VALVE KIT	1
19	RETAINING RING	1	45	PRESSURE RELIEF VALVE KIT	1
20	PIN	1	46	RELEASE VALVE KIT	1
21	WASHER	1	47	PUMP/CYLINDER UNIT	2
22	RETAINING RING	2	48	KNIGHTHEAD	2
23	PUMP ARM	1	49	WASHER	2
24	BUMPER	1	50	RETAINING RING	2
25	BOLT	1	51	WASHER	4
			52	SPEED CONTROL VALVE KIT	1
			53	WASHER	1



NO	DESCRIPTION	QUANTITY
24	Steel ball	1
25	Spring	1
26	Steel ball	1
27	Screw	1
28	Strike pin	1
29	O-ring	2
30	Shaft	1
31	Filter	1
32	O-ring	1
33	Rectangular section ring	1
34	Cylinder	1
35	Housing	1
36	Screw	1
38	Retaining ring for axle	1
39	Washer	1
40	O-ring	1
41	Cup packing	1
42	Bush	1
43	O-ring	1
44	Piston rod	1
45	Rectangular section sealing	1
46	Cylinder cap	1
47	O-ring	1
48	J shaped steel frame	1
49	rubber sealing	1
50	Base	1
51	Lever plate	1
51	Retaining ring for axle	1

NO	DESCRIPTION	QUANTITY
1	O-ring	1
2	Pump cylinder	1
3	Yx-seal ring	1
4	Dust ring	1
5	Pump plunger	1
6	Spring	1
7	Spring seat	1
8	Retaining ring	1
9	Joint plate	2
10	Pin	1
11	Plug	1
12	Copper washer	1
13	Damp valve	1
14	Spring	1
15	Spring seat	1
16	Steel ball	1
17	Steel ball	1
18	Spring seat	1
19	Spring	1
20	Adjusting screw	1
21	O-ring	2
22	Cover ring	1
23	Steel ball	1



PLANT SAFETY PROGRAMME

NEW MACHINERY HAZARD IDENTIFICATION, ASSESSMENT & CONTROL



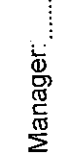
Stock Code: J052 **Model:** 350 KG **Brand:** HAFCO

Description: Hydraulic Trolley

Developed in Co-operation Between A.W.I.S.A and Australia Chamber of Manufactures
 This program is based upon the Australian Worksafe Standard for Plant(NOHSC:1010-1994)

Item No.	Hazard Identification	Hazard Assessment	Risk Control Strategies <small>(Recommended for Purchase / Buyer / User)</small>
B	CRUSHING	HIGH	Ensure use trolley on even, solid ground. Ensure load is secure on trolley. Keep body clear from under trolley at all times. Do not exceed maximum lifting capacity of trolley. Always check around load before lowering. Check trolley for cracks etc, prior to lifting. Ensure load is lowered smoothly. Wear safety boots.
D	SHEARING	MEDIUM	Keep body parts clear between moving components of trolley when lowering.
J	SLIPPING, TRIPPING, & FALLING	LOW	Avoid uneven or slippery surfaces when moving trolley under load.

Plant Safety Program to be read in conjunction with manufactures instructions

Authorised and signed by:  Safety officer: 
 Manager: 
 Date: Mar-02

HARE & FORBES
MACHINERYHOUSE
 ABN 96 000 286 957

"THE JUNCTION" 2 WINDSOR ROAD, NORTHMEAD NSW 2152
 Phone (02) 9890 9111 Fax (02) 9890 3888